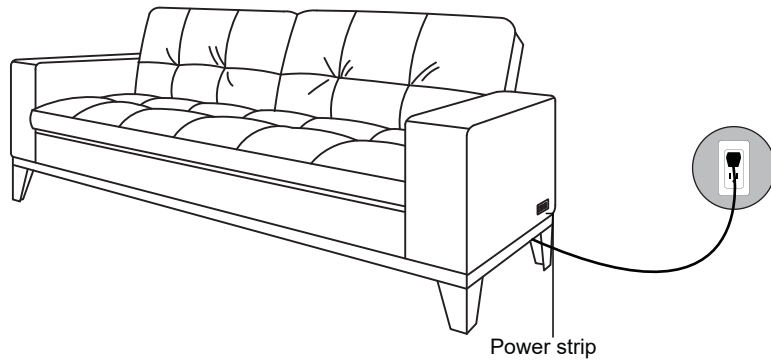
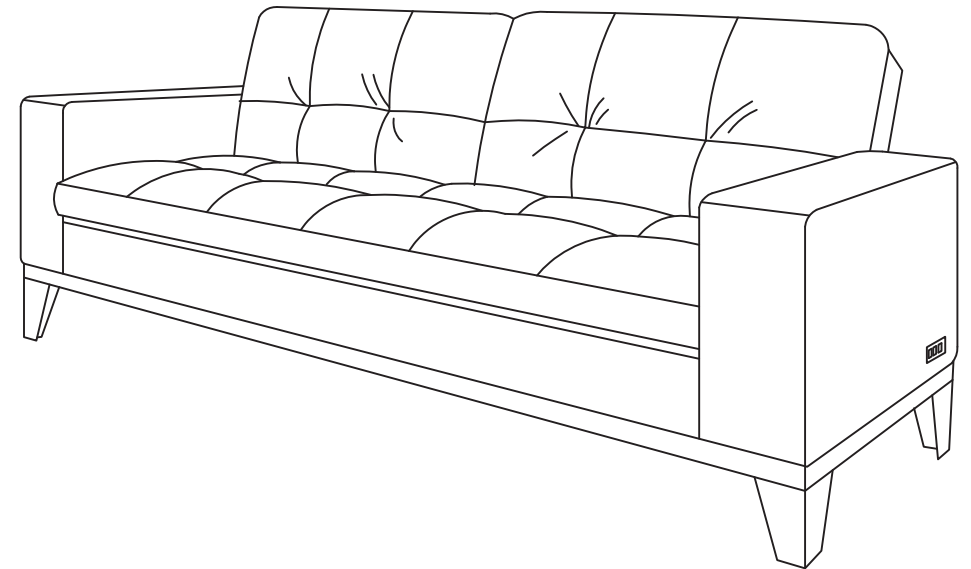


## Connect Home Appliances

Insert the power plug into the power socket, then connect with your home appliances.



relax<sup>o</sup>lounger<sup>®</sup>



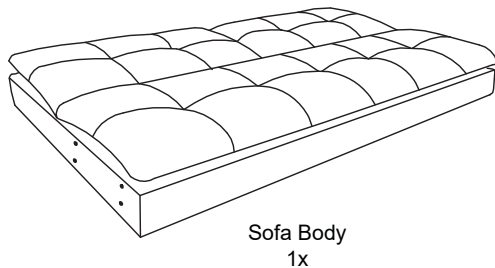
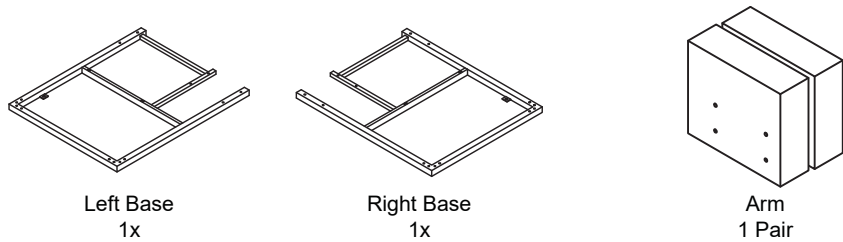
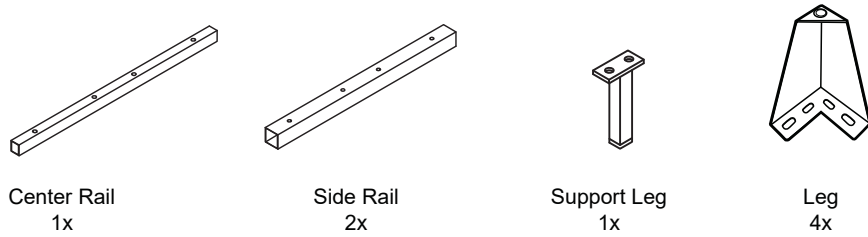
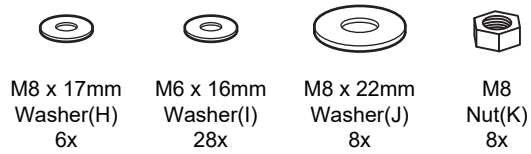
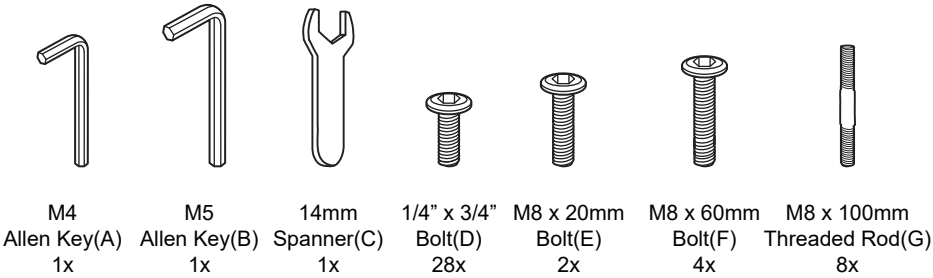
# **WESTRIDGE** WITH POWDER COATING BASE

---

## ASSEMBLY INSTRUCTIONS

## PARTS AND HARDWARE

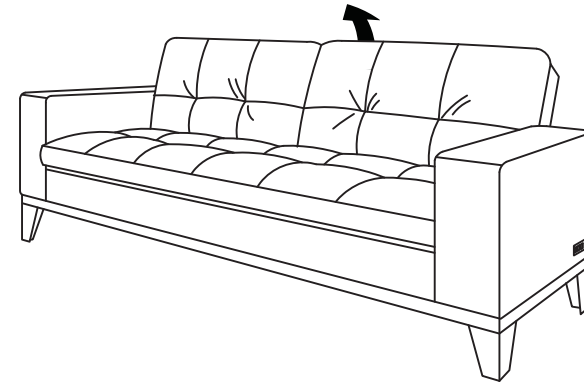
Avoid using sharp objects such as a knife to open packing as you may accidentally damage the upholstery.



## OPERATING YOUR UNIT

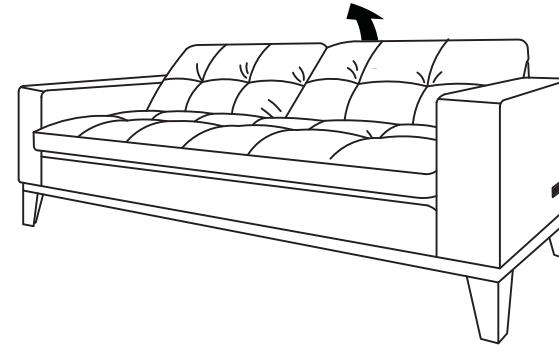
### Converting to Sofa

Standing at the side of the unit (from bed position), lift backrest to the desired position and secure in place by releasing to the sound of a click.



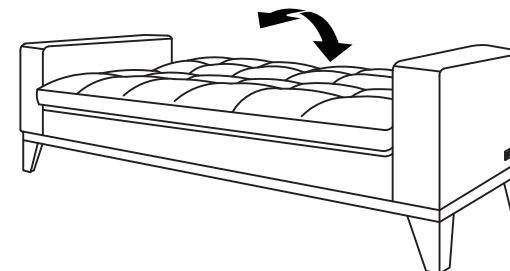
### Converting to Lounger

In bed position, lift backrest upwards with each click sound until the desired lounge position is reached.



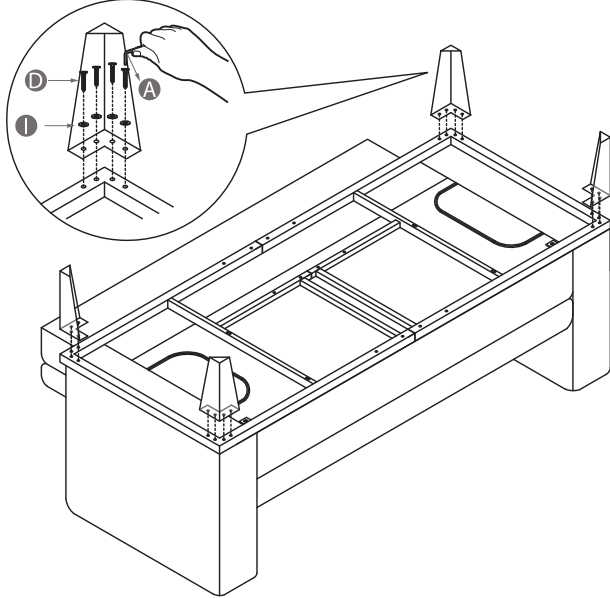
### Converting to Bed

From sofa or lounge position, lift backrest all the way upwards until the last click is heard which unlocks the mechanism and carefully return to a flat position.

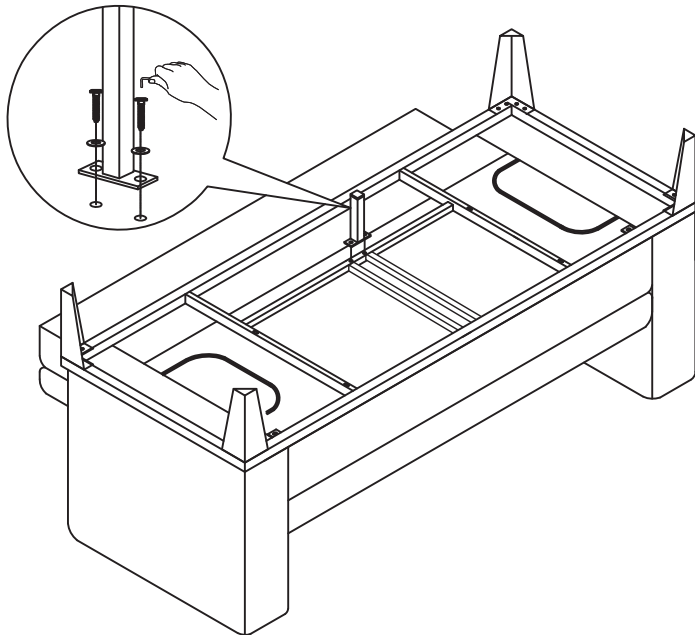


**7** Align each of the four legs onto the designated plates on the frame in the correct orientation as shown below.

Screw in four bolts (D) and four flat washers (I) for each leg with the allen key (A) provided.



**8** Align the holes on the support leg onto the pre-drilled holes on the base frame as shown below, secure with two bolts (D) and flat washers (I) by provided allen key (A).



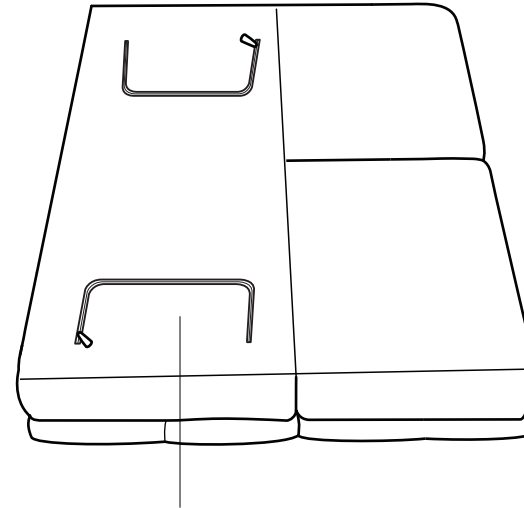
## ASSEMBLY INSTRUCTIONS

**CAUTION:** At least two adults are required to safely complete this task.  
Individual attempts may risk back injury due to large and heavy part(s).



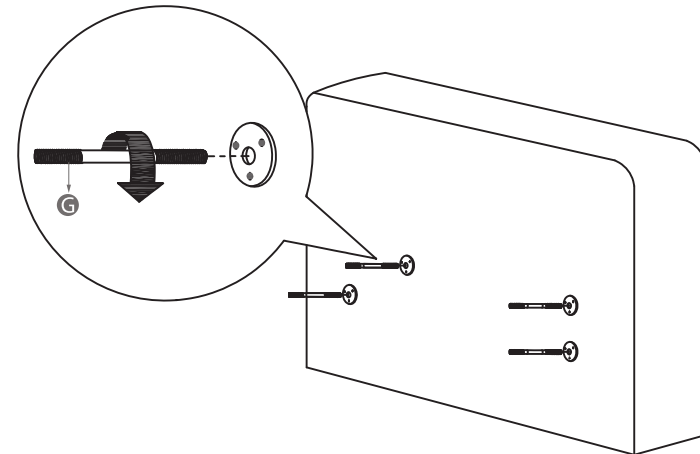
**1** Carefully place the sofa body unit on a flat surface with the metal frame facing up (at least two persons required).

Unpack hardware from the zipped storage compartment.

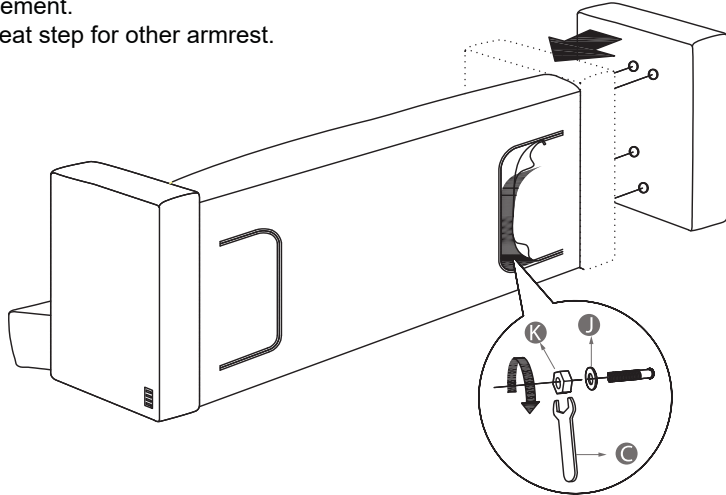


PARTS AND HARDWARE  
STORAGE COMPARTMENT

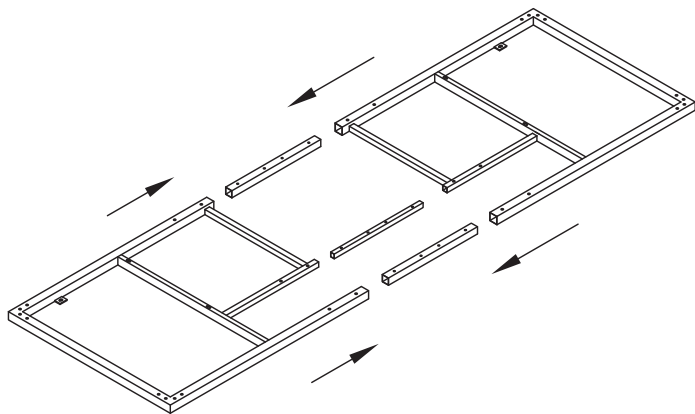
**2** Screw in four threaded rods (G) into pre-drilled holes of armrest by hand until about half of the thread is exposed. Repeat steps for other armrest.



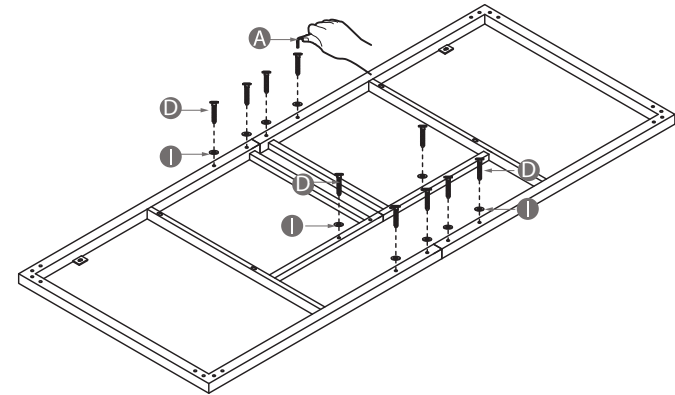
- 3** Locate pre-drilled holes on the side of sofa body and match the orientation with the correct armrest.  
 Now, carefully join armrest (with the four threaded rods exposed) with sofa body by aligning and going through the four pre-drilled holes at the side of sofa body.  
 Open compartment cover underneath the sofa base and secure all four threaded rods with flat washers (J) and nuts (K) from inside with spanner (C), making sure there is no movement.  
 Repeat step for other armrest.



- 4** Place the both base frame, both side rails and center rail as below, insert both ends of side rails and center rail to the square tube of both base frame.  
 Make sure the holes on the base frames, center and side rails are aligned.



- 5** Screw in four bolts (D) and four flat washers (I) for side rail with the allen key (A) provided.  
 Screw in two bolts (D) and two flat washers (I) for center rail with the allen key (A) provided.



- 6** Align all four the pre-drilled holes on the base frame and two pre-drilled holes on the metal plate as shown below, secure with four bolts (F) and washers (H) by provided allen key (B).  
 secure the metal plate with two bolts (E) and washers (H) by provided allen key (B).

